

PO Box 602, Highland, CA 92346  
 909-793-7602 phone 909-793-1283 fax  
 www.procastproducts.com

PRODUCT NAME:  
**K-10 T**

DESCRIPTION:  
**TYPE K-10 T**

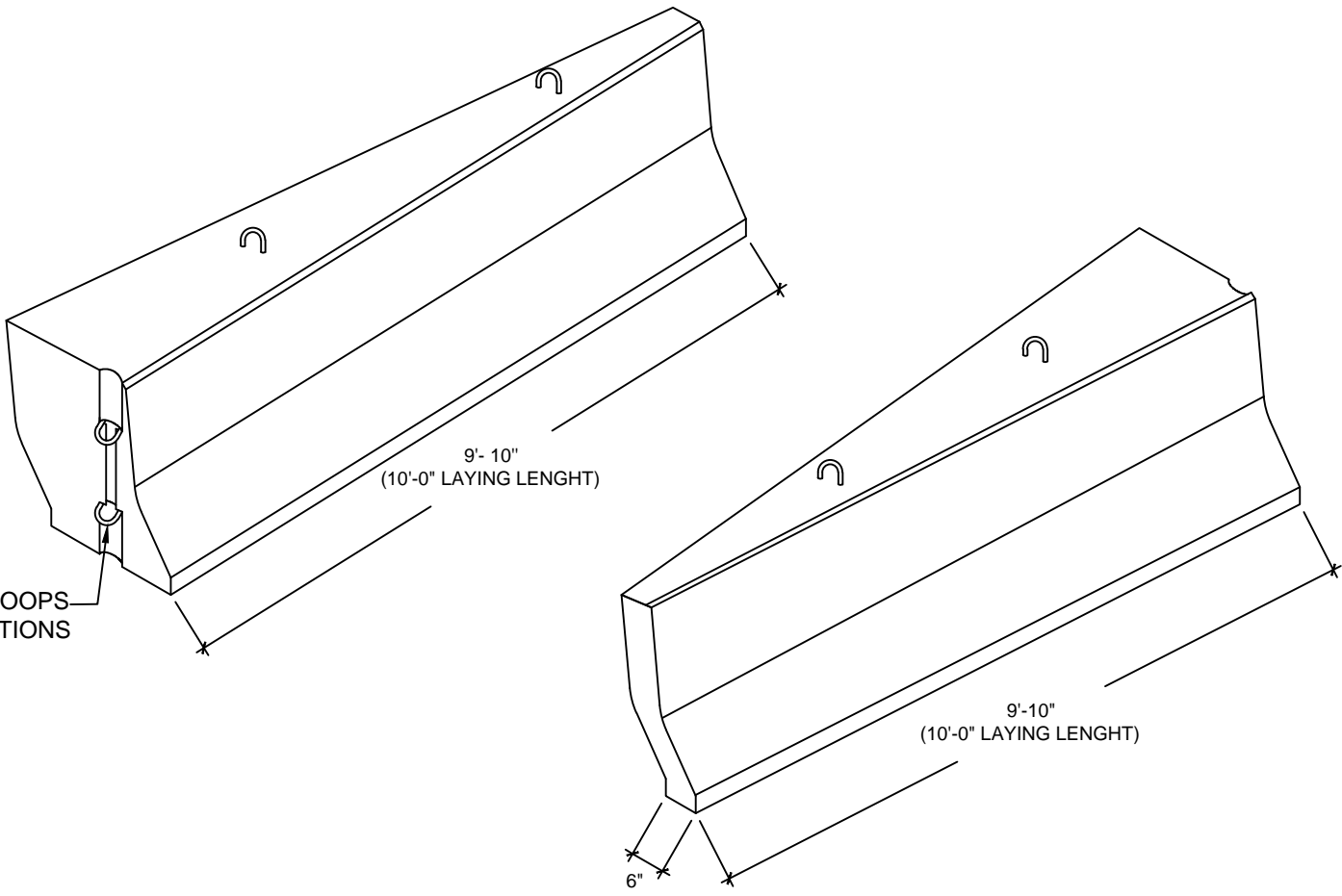
DESIGN SPECIFICATIONS

PRO-CAST PRODUCTS  
 RESERVES THE RIGHT TO  
 MAKE CHANGES TO  
 PRODUCT DESIGN AND/OR  
 DIMENSIONS WITHOUT  
 NOTICE. PLEASE CONTACT  
 PRO-CAST PRODUCTS  
 WHENEVER NECESSARY  
 FOR CONFIRMATION OR  
 ADVICE ON PRODUCT  
 DESIGN.

CONTENTS:  
**ISOMETRIC**

SCALE: 3/8"=1'-0"  
 DRAWN BY: F.M. 12/06/2017  
 REVISED BY:  
 CHECKED BY: \*\* \*\*

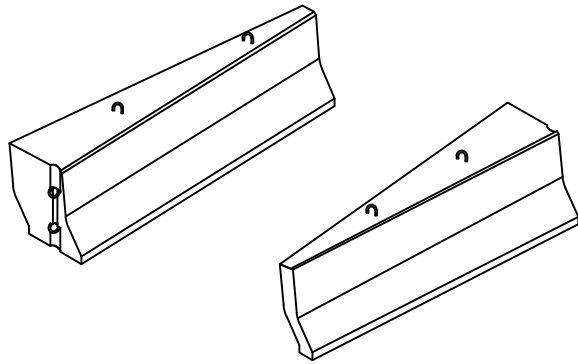
DRAWING NO.  
**B-004A**



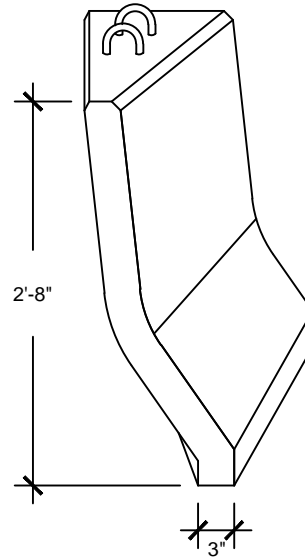
STANDARD END LOOPS  
 FOR PIN CONNECTIONS

ISOMETRIC  
 SCALE: 1/2"=1'-0"

**Barrier Type K(10ft.Long)**  
**Terminal Section**

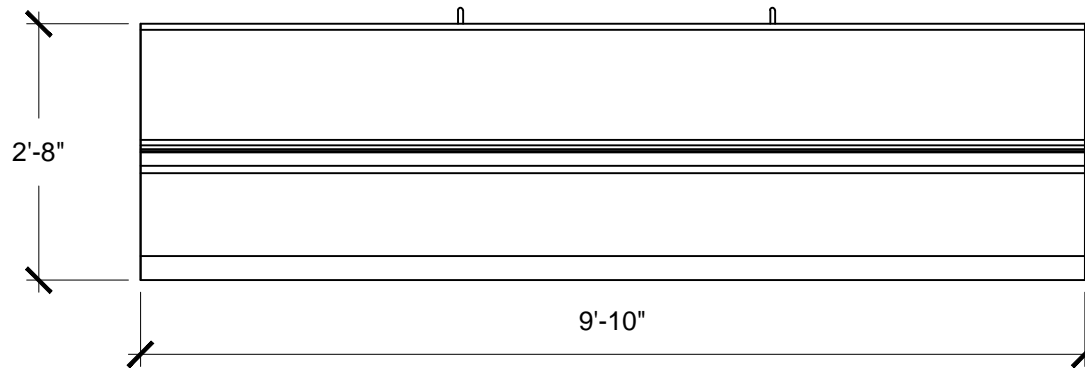


K- 10 T



BARRIER END DETAIL

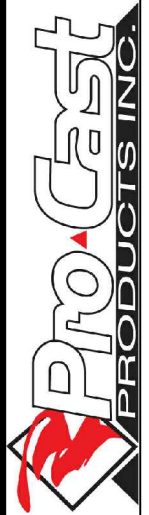
SCALE: 3/4"=1'-0"



SIDE ELEVATION

SCALE: 1/2"=1'-0"

Barrier Type K(10ft.Long)  
Terminal Section



PO Box 602, Highland, CA 92346  
909-793-7602 phone 909-793-1283 fax  
www.procastproducts.com

PRODUCT NAME:  
**K-10 T**

DESCRIPTION:  
**TYPE K-10 T**

DESIGN SPECIFICATIONS

PRO-CAST PRODUCTS RESERVES THE RIGHT TO MAKE CHANGES TO PRODUCT DESIGN AND/OR DIMENSIONS WITHOUT NOTICE. PLEASE CONTACT PRO-CAST PRODUCTS WHENEVER NECESSARY FOR CONFIRMATION OR ADVICE ON PRODUCT DESIGN.

CONTENTS:

- END DETAIL
- SIDE ELEVATION

SCALE:  
DRAWN BY: F.M. 12/06/2017  
REVISED BY:  
CHECKED BY: \*\* \*\*

DRAWING NO.  
**B-004B**