

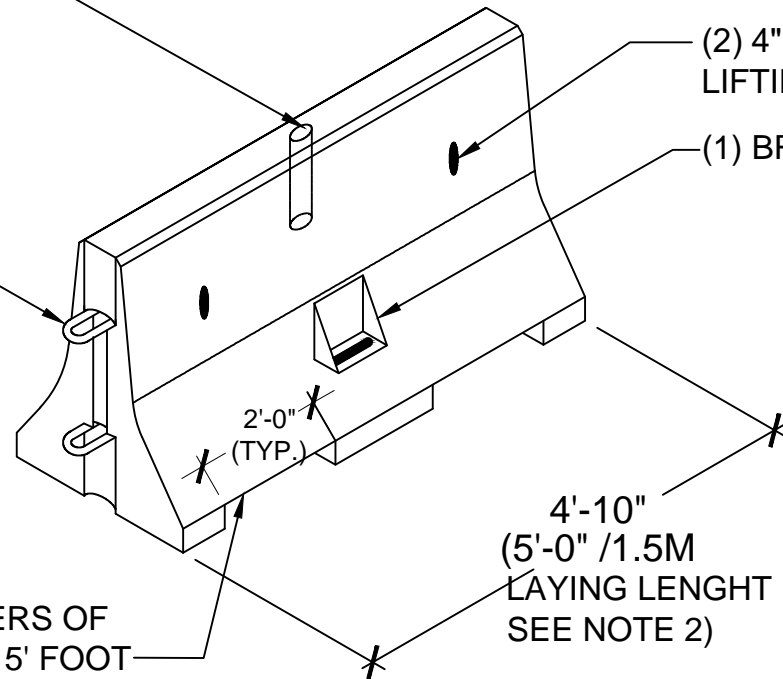
NOTES:

1. Weight = Approx. 1,950 lbs per piece.
2. Laying length between connector pins is 5'-0".
3. "GAWK" screen hole is 1 1/2"Ø x12" deep.
4. Cured in accordance with 2010 Caltrans Standard Specifications Section 90-1.03B

(1) 1 1/2"Ø GAWK SCREEN HOLE x12" DEEP

STANDARD END LOOPS FOR PIN CONNECTIONS

PROVIDE 2 SCUPPERS OF EQUAL SPACE PER 5' FOOT SECTION OF BARRIER (LOCATION- ±2")



(2) 4"Ø LIFTING HOLES

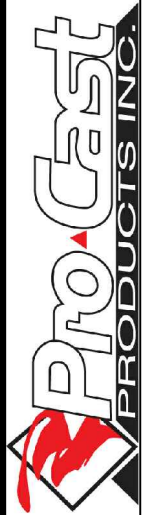
(1) BRIDGE POCKETS

4'-10" (5'-0" / 1.5M) LAYING LENGTH SEE NOTE 2)

ISOMETRIC

SCALE: 1/2"=1'-0"

Barrier Type K-5



PO Box 602, Highland, CA 92346
 909-793-7602 phone 909-793-1283 fax
 www.procastproducts.com

PRODUCT NAME:
K-5

DESCRIPTION:
TYPE K-5

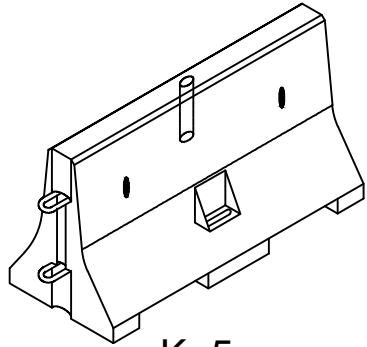
DESIGN SPECIFICATIONS

PRO-CAST PRODUCTS RESERVES THE RIGHT TO MAKE CHANGES TO PRODUCT DESIGN AND/OR DIMENSIONS WITHOUT NOTICE. PLEASE CONTACT PRO-CAST PRODUCTS WHENEVER NECESSARY FOR CONFIRMATION OR ADVICE ON PRODUCT DESIGN.

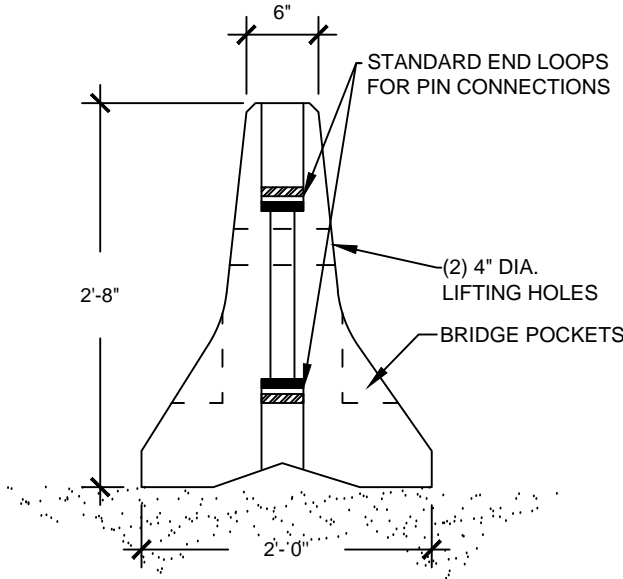
CONTENTS:
ISOMETRIC

SCALE: 1/2"=1'-0"
 DRAWN BY: F.M. 12/06/2017
 REVISED BY:
 CHECKED BY: ** **

DRAWING NO.
B-003A

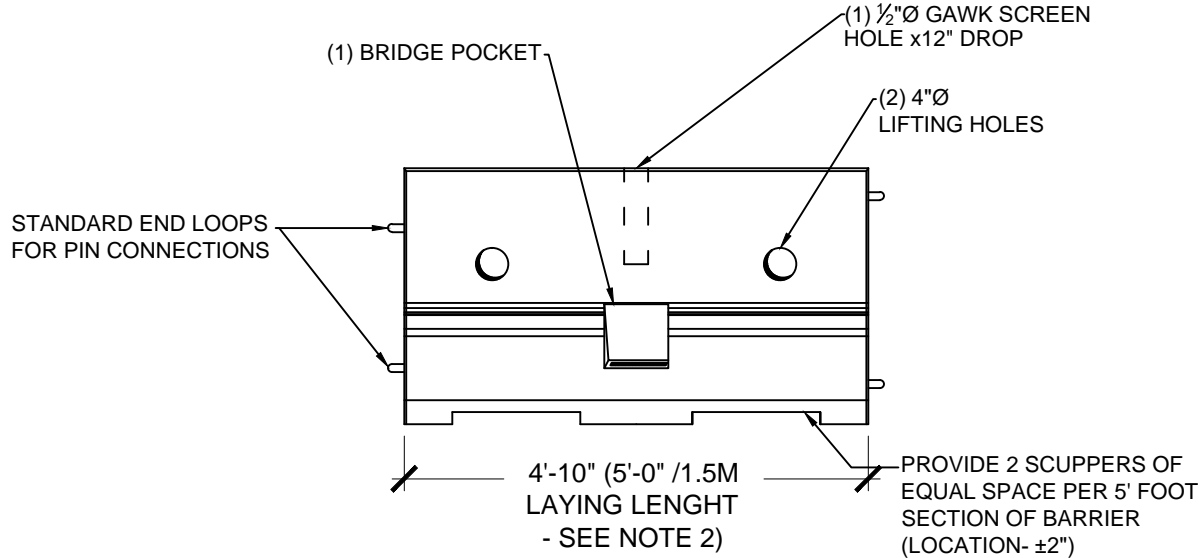


K-5



BARRIER END DETAIL

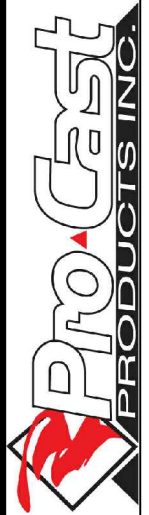
SCALE: 3/4"=1'-0"



ELEVATION

SCALE: 1/2"=1'-0"

Barrier Type K-5



PO Box 602, Highland, CA 92346
909-793-7602 phone 909-793-1283 fax
www.procastproducts.com

PRODUCT NAME:

K-5

DESCRIPTION:

TYPE K-5

DESIGN SPECIFICATIONS

PRO-CAST PRODUCTS RESERVES THE RIGHT TO MAKE CHANGES TO PRODUCT DESIGN AND/OR DIMENSIONS WITHOUT NOTICE. PLEASE CONTACT PRO-CAST PRODUCTS WHENEVER NECESSARY FOR CONFIRMATION OR ADVICE ON PRODUCT DESIGN.

CONTENTS:

- END DETAIL
- SIDE ELEVATION

SCALE:	
DRAWN BY:	F.M. 12/06/2017
REVISED BY:	
CHECKED BY:	** **

DRAWING NO.
B-003B