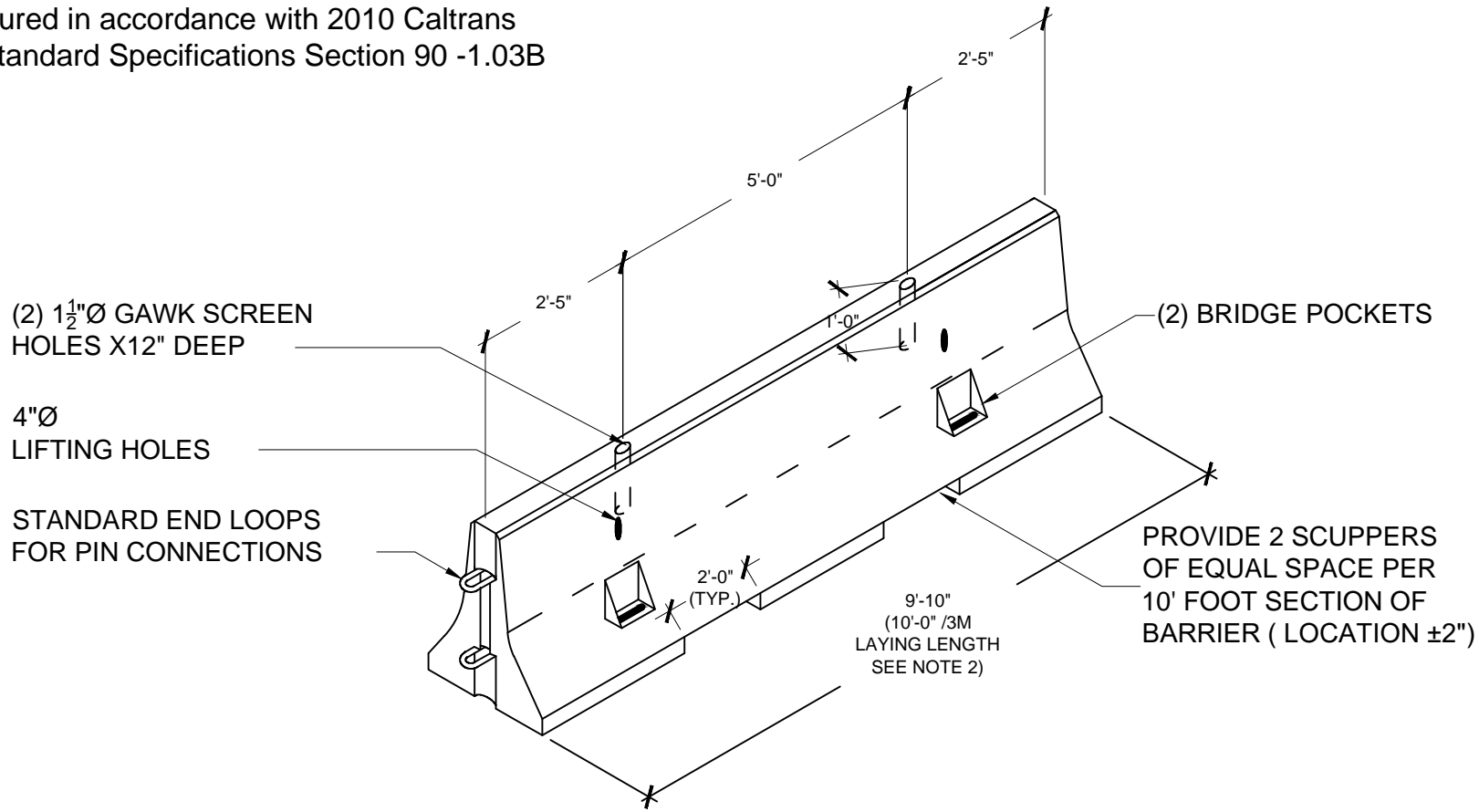


**NOTES:**

1. Weight = Approx. 3,900 lbs per piece.
2. Laying length between connector pins is 10'-0".
3. "Gawk" screen holes is 1½"Ø x 12" deep.
4. Cured in accordance with 2010 Caltrans Standard Specifications Section 90 -1.03B



**ISOMETRIC**

SCALE: 3/8"=1'-0"

**Barrier Type K-10**

**Pro-Cast PRODUCTS INC.**  
 PO Box 602, Highland, CA 92346  
 909-793-7602 phone 909-793-1283 fax  
 www.procastproducts.com

PRODUCT NAME:  
**K-10**

DESCRIPTION:  
**TYPE K-10**

DESIGN SPECIFICATIONS

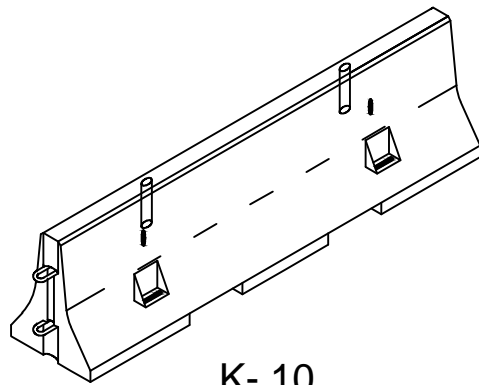
PRO-CAST PRODUCTS RESERVES THE RIGHT TO MAKE CHANGES TO PRODUCT DESIGN AND/OR DIMENSIONS WITHOUT NOTICE. PLEASE CONTACT PRO-CAST PRODUCTS WHENEVER NECESSARY FOR CONFIRMATION OR ADVICE ON PRODUCT DESIGN.

CONTENTS:

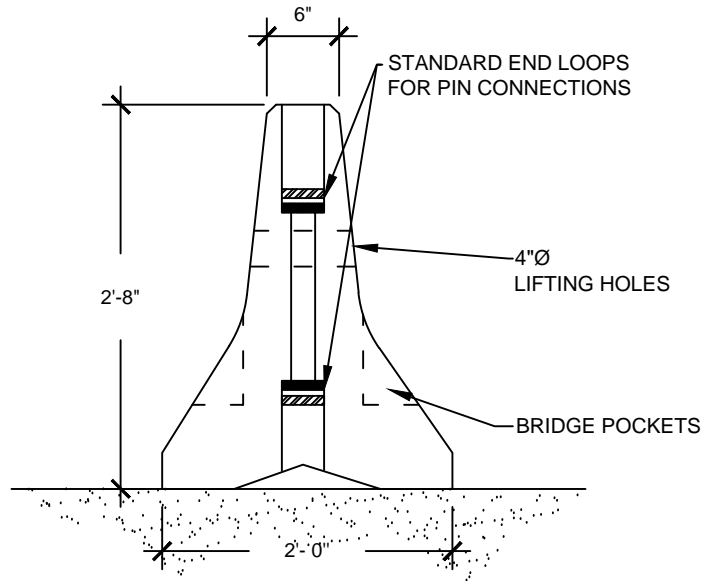
**- ISOMETRIC**

SCALE:	3/8"=1'-0"
DRAWN BY:	F.M. 12/06/2017
REVISED BY:	
CHECKED BY:	** **

DRAWING NO.  
**B-002A**

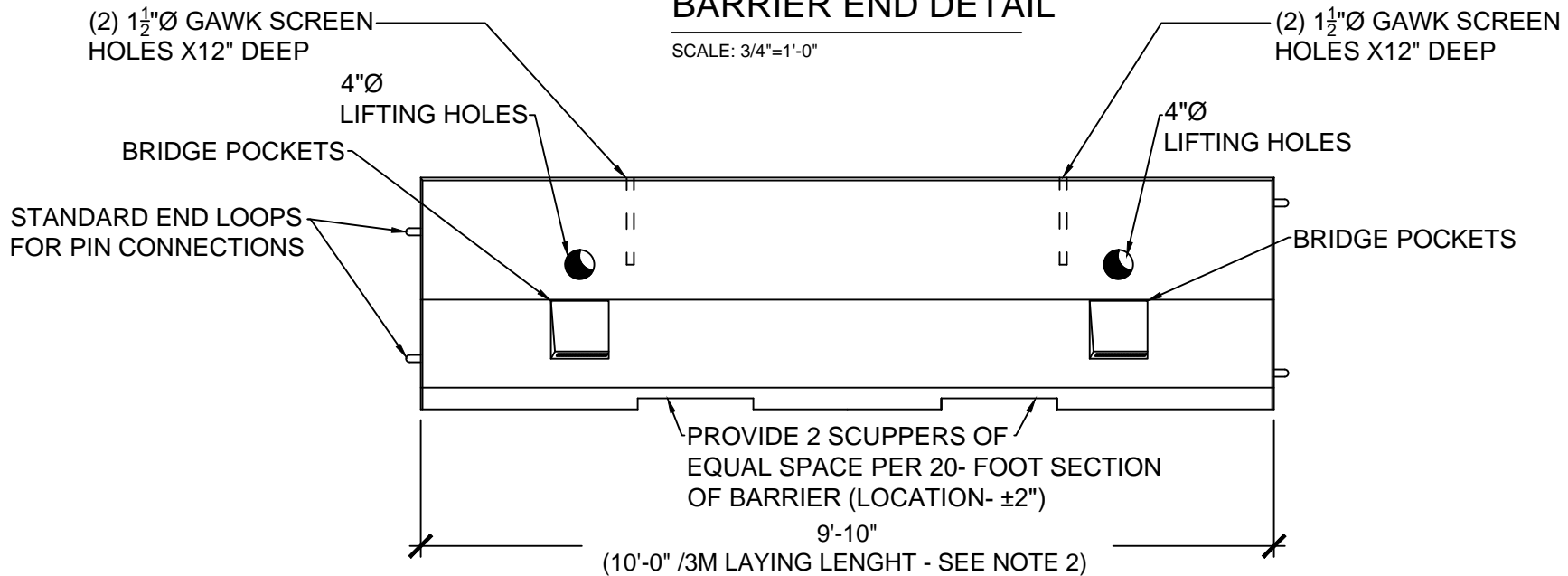


**K-10**



**BARRIER END DETAIL**

SCALE: 3/4"=1'-0"



**SIDE ELEVATION**

SCALE: 1/2"=1'-0"

**Barrier Type K-10**

**Pro-Cast PRODUCTS INC.**  
 PO Box 602, Highland, CA 92346  
 909-793-7602 phone 909-793-1283 fax  
 www.procastproducts.com

PRODUCT NAME:  
**K-10**

DESCRIPTION:  
**TYPE K-10**

DESIGN SPECIFICATIONS

PRO-CAST PRODUCTS RESERVES THE RIGHT TO MAKE CHANGES TO PRODUCT DESIGN AND/OR DIMENSIONS WITHOUT NOTICE. PLEASE CONTACT PRO-CAST PRODUCTS WHENEVER NECESSARY FOR CONFIRMATION OR ADVICE ON PRODUCT DESIGN.

CONTENTS:  
 - END DETAILS  
 - SIDE ELEVATIONS

SCALE:  
 DRAWN BY: F.M. 12/06/2017  
 REVISED BY:  
 CHECKED BY: \*\* \*\*

DRAWING NO.  
**B-002B**