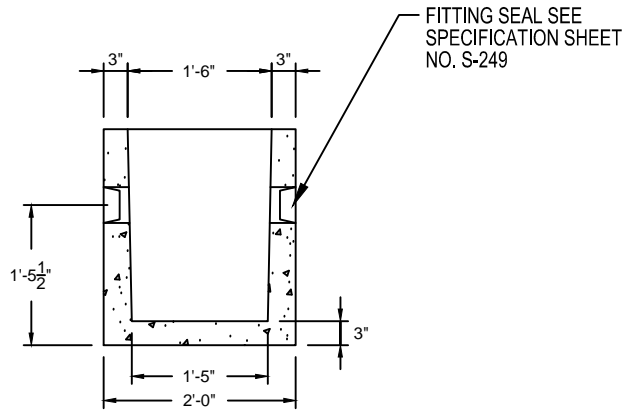
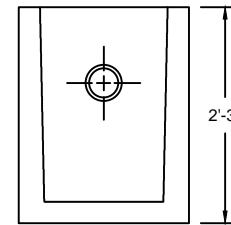


PLAN VIEW



SECTION



SIDE VIEW

NOTES:

1. SAMPLE BOX MAY BE FITTED WITH VARIOUS COVERS. COVER MAY BE AS SHOWN ON DWG. NO. 1112, #2/#4 OR 1118 #2/#4 OR 1119 #2/#4 ALL OF WHICH CAN BE SUPPLIED LOOSE OR CAST IN THE TOP OF THE SAMPLE BOX 1604 AND 1604 B-G AS SHOWN ON DWG. NO. 1125 MAY BE SUPPLIED LOOSE.
2. CONCRETE TYPE II PORTLAND CEMENT ASTM C-260-86, SIX SACK READY MIX, MINIMUM COMPRESSIVE STRENGTH 3,000 PSI AT 28 DAYS.
3. REINFORCING BAR ASTM A 615, GRADE 40. REINFORCING BAR SIZE NO. 3 .
4. SECONDARY REINFORCING : COLLATED FIBRILLATED POLYPROPYLENE FIBER.

24"  
IN-LINE SAMPLE BOX  
SCALE: 1/2" = 1'-0"



Sheet No.

REF.1128 REV. 05/08/2014