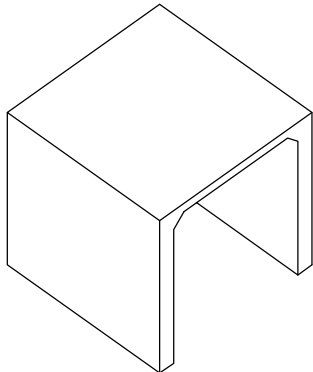


GRAPHIC SCALE

WEIGHT=#15,500



FOR SPECIFICATIONS:
 LINK to "specs.ProcastProducts.com"
 This drawing is for reference purposes only.
 Complete drawings are available by request
 www.ProcastProducts.com



SKUD BUNKER	
Drawn: CML	ID: 2003-M1.DWG
Rev. 1	Date: 02/02/07 PAGE 1 OF 2